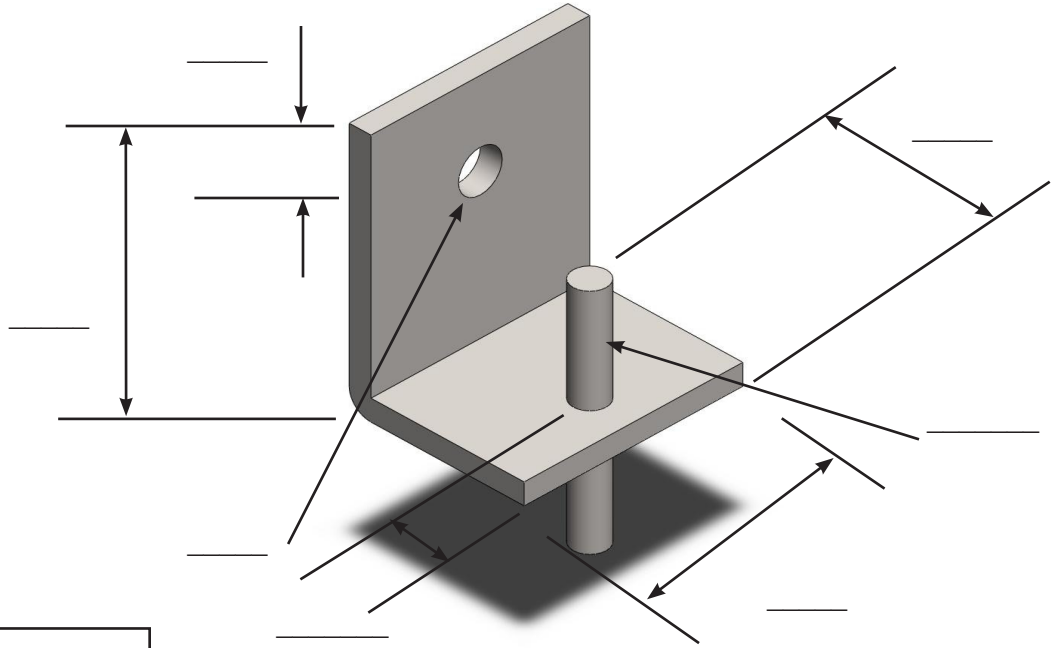




# CUSTOM STAINLESS STEEL INC. CUSTOM STONE ANCHORS

## STONE BRACKET - "L-2"



QUANTITY: \_\_\_\_\_

### FINISH:

- TYPE 304 Stainless Steel
- TYPE 316 Stainless Steel

### THICKNESS:

- 12 Ga. / 2.78 mm       1/4" / 6.3 mm
- 1/8" / 3.2 mm
- 3/16" / 4.7 mm       OTHER : \_\_\_\_\_

Project Name : \_\_\_\_\_

Company Name : \_\_\_\_\_

Location : \_\_\_\_\_

Address : \_\_\_\_\_

Notes : \_\_\_\_\_

Phone : \_\_\_\_\_

Fax : \_\_\_\_\_

Email : \_\_\_\_\_

The appropriate selection and use of any CSS Inc. Custom Stone Brackets must be determined by qualified architects, engineers or other professionals who are familiar with the specific requirements of the project.



CUSTOM STAINLESS STEEL INC.  
8426-C San Fernando Road.  
Sun Valley, CA 91352

Tel : (818) 252-7174  
Fax : (818) 252-6853  
E-Mail : sales@cstainless.com  
Website : www.cstainless.com